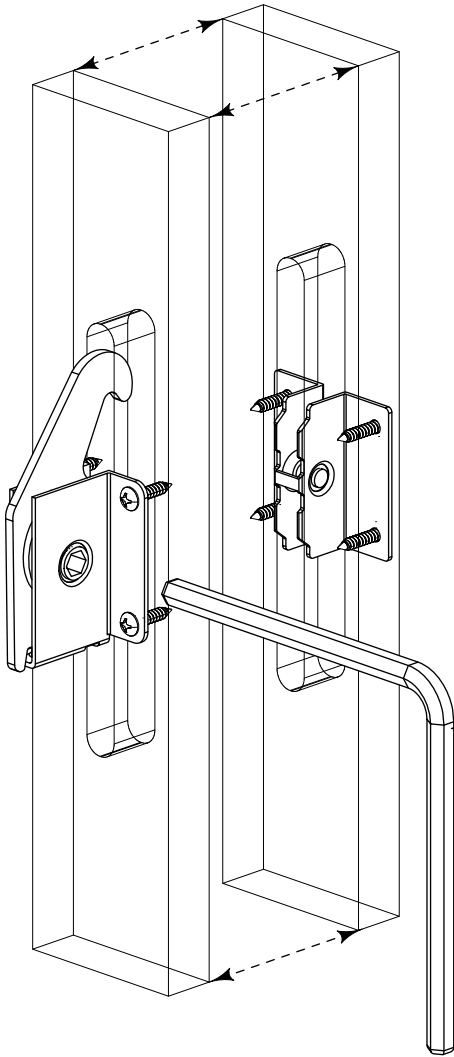


# Display Innovations

## Panel Lock Installation Instructions



Route a 1/2" x 6" slot in both pieces to be joined.

Mount lock and strike in the center of the slot using #8 x 3/4" pan head screws similar to drawing. Align the center of the cam hole and the strike pin.

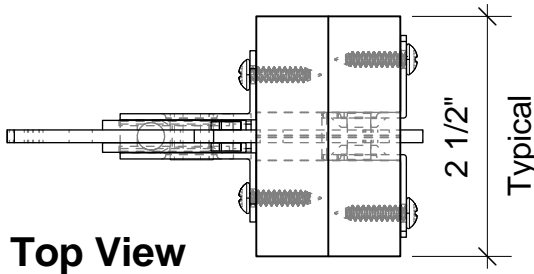
Cover (skin) one side of the panel as desired.

*Note: For double-sided panels drill the cam wrench access hole before applying 2nd skin.\**

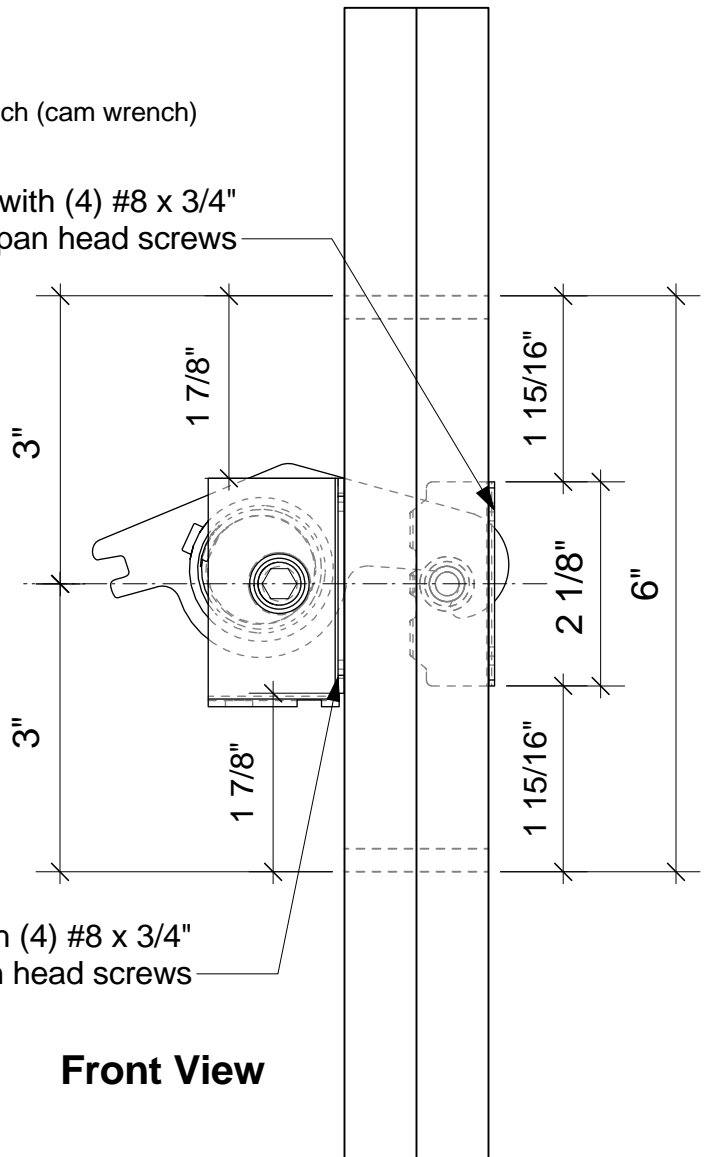
**Note:** These panel locks and strikes must be installed before the panel is sealed and can NOT be installed from the outside.

5/16" Hex Wrench (cam wrench)

Mount with (4) #8 x 3/4" pan head screws



**Top View**



**Front View**

*\*Note: We have a drilling kit available that gives perfectly aligned wrench access holes in double-sided panels. See Panel Lock Accessories for details.*