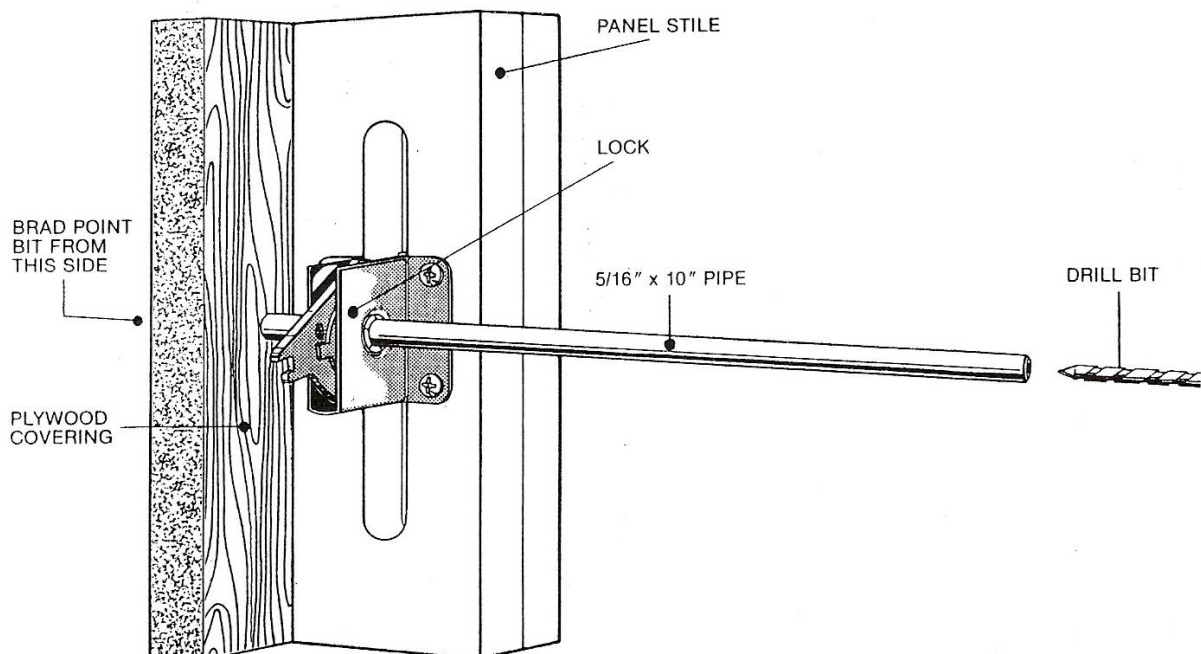


# Instructions for using the Display Innovations Wrench Access Hole Drilling Kit

- 1: Install the panel locks in the panel stile in the usual way.
- 2: Cover one face of the panel frame with plywood or other material.
- 3: Add the finish surface to the plywood or other material.
- 4: Insert  $5/16"$  X  $10"$  pipe into wrench opening of the lock from the un-covered side of the panel until it hits the back side of the plywood panel surface.



- 5: Insert the  $7/64"$  X  $12"$  drill bit through the center of the pipe and drill through the plywood and finished surface.
- 6: Remove the pipe from the lock wrench opening.
- 7: Using the  $3/8"$  brad point bit, drill the  $7/64"$  hole out to  $3/8"$  from the face of the panel.
- 8: If you are building double sided panels, and want a wrench access hole in both faces of the panel, add the plywood or other material, plus the finish material to the second side of the panel and repeat steps 4, 5, 6 and 7.

- \* This drilling system will work on any panel thickness up to  $10"$ .
- \* This drilling method should give a perfect hole location every time, and in perfect alignment with the wrench hole in the lock.