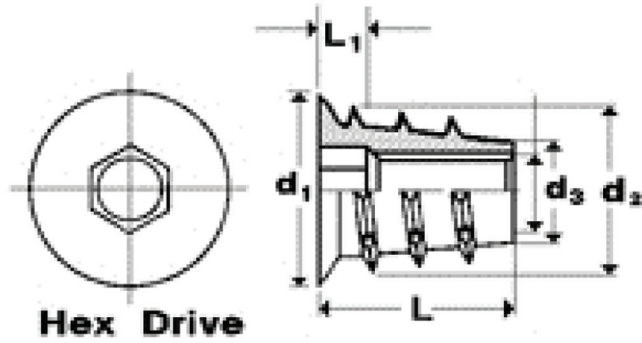
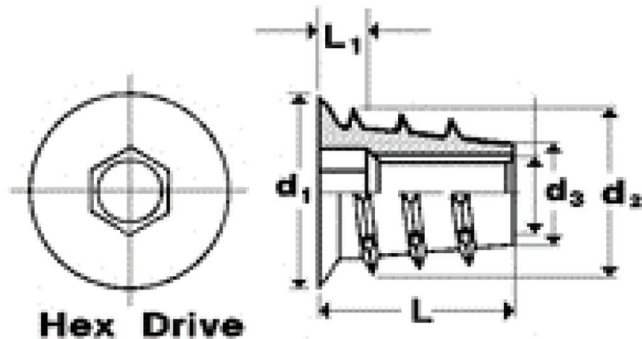


5/16 & 3/8 Insert Specification Chart

THREAD SIZE	5/16-18
d1	0.571
d2	0.545
d3	0.382
L	0.787
L1	0.216
Hex Drive	8
Pilot Hole Size	7/16"



THREAD SIZE	5/16-18
d1	0.571
d2	0.543
d3	0.374
L	0.984
L1	0.18
Hex Drive	8
Pilot Hole Size	7/16"



THREAD SIZE	3/8-16
d1	0.625
d2	0.594
d3	0.46
L	0.984
L1	0.18
Hex Drive	10
Pilot Hole Size	1/2"

