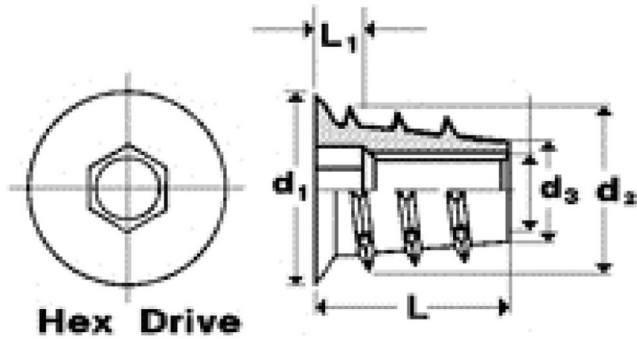
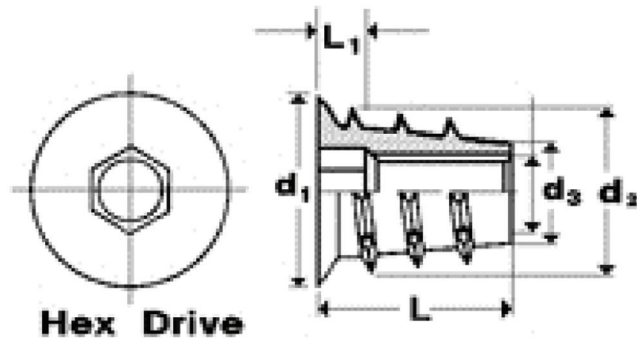


1/4-20 Insert Specification Chart

THREAD SIZE	1/4-20
d1	0.476
d2	0.437
d3	0.291
L	0.512
L1	0.146
Hex Drive	6
Pilot Hole Size	5/16"



THREAD SIZE	1/4-20
d1	0.488
d2	0.441
d3	0.303
L	0.78
L1	0.189
Hex Drive	6
Pilot Hole Size	5/16"



THREAD SIZE	1/4-20
d1	0.492
d2	0.469
d3	0.315
L	0.984
L1	0.16
Hex Drive	6
Pilot Hole Size	5/16"

