

# DISPLAY INNOVATIONS

SPECIALTY HARDWARE FOR THE DISPLAY INDUSTRY

---

## Catalog And Price List

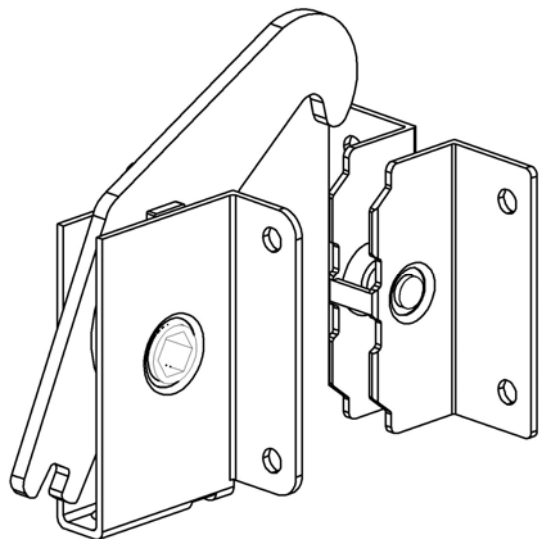
***Specialty Hardware for the Display Industry  
Source Supplier for the Panel Lock!***

Visit us on the web at:  
[displayinnovations.com](http://displayinnovations.com)  
e-mail: [sales@displayinnovations.com](mailto:sales@displayinnovations.com)

Catalog updated: **November 2013**

**Display Innovations**  
8160 Jensen Avenue South  
St. Paul, Minnesota 55016-3440

Phone: 800-583-9691 (Sales orders)  
Phone: 651-459-3816 (Office)  
Fax: 651-459-3841 (Purchase Orders)



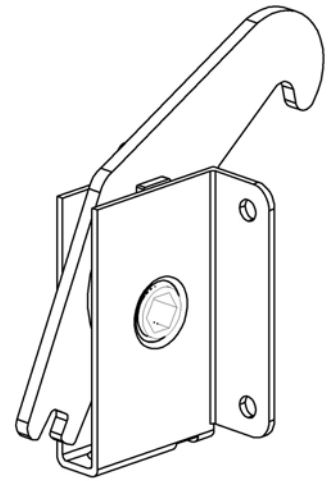
## Table of Contents

Our Panel Locks .....	3
Panel Lock Hooks (Male).....	3
Panel Lock Strikes (Female) .....	3
Terms & Shipping .....	3
Terms .....	3
Shipping .....	3
Pricing.....	3
Panel Locks-Sets .....	4
Panel Locks (Male).....	4
Panel Lock Strike 7/16" (Standard).....	4
Additional Panel Locks Strikes.....	4
Panel Lock Accessories.....	5
Panel Lock Wrench-Standard.....	5
Panel Lock Wrench-Extended .....	5
Panel Lock Spacers .....	5
Panel Lock Drilling Kit .....	5
Hardware.....	6
Bolts: Carriage, Fully Threaded .....	6
Bolts: Exhibit, Fully Threaded .....	6
Torque Washers.....	6
Machine Screws, Fully Threaded .....	7
Wing Screws 1/4-20.....	7
Washer Base Wing Nuts.....	8
Tee Nuts .....	8
Inserts: Knife Thread, Hex Drive .....	8
Inserts: Knife Thread, Non Hex Drive .....	9
Hasps .....	9
Hasps-Hinge—Ultra .....	9
Hasps-Hinge-National.....	9
Hasps-Safety-Ultra .....	10
Hasps-Safety-National.....	10
Replacement Staples .....	10
Hinges .....	11
6" Strap Hinge, Standard Duty-Ultra.....	11
6" Strap Hinge, Heavy Duty-National.....	11
Hangers.....	11
Z-Clips & Z-Strips .....	11
Crating Felt.....	12
PSA Backed (Pressure Sensitive Adhesive).....	12
Non-Backed (No Adhesive).....	12
Hole Plugs .....	13
Metal Hole Plugs.....	13
Plastic Hole Plugs .....	13
Vent Plugs .....	13
4" Hand Hole Plugs .....	13
Electrical Cords-Extension.....	14
S3 Series.....	14
J3 Series.....	14
Flat Extension Cords SPT-3 Heavy Duty (Low Profile) .....	15
Flat Extension Cords SPT-2 Standard Duty (Low Profile).....	15
Electrical-Multi Outlet .....	16
Triple Outlet.....	16
Multi Outlet Strip with Surge Protection .....	16
Multi Outlet Strip without Surge Protection .....	16
Heavy Duty 4-Way Power Distribution .....	16
Electrical Cords-Replacement.....	17
Replacement Cords-Male End .....	17
Replacement Cords-Female End .....	17
Electrical Cords Accessories—Cord-Lox .....	17
Instructions for Hole Drilling Kit.....	18
Panel Lock Installation Instructions .....	19

## Our Panel Locks

### Panel Lock Hooks (Male)

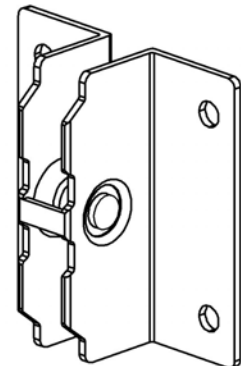
Our “Best in the Industry” panel lock simplifies exhibit assembly for reduced set up costs. These latch assemblies are high quality all steel construction, made to stand up to repeated usage and can be used in all types of joints. There are no known failures of these locks while in use. They are used for backwall panels, headers, staging sections, platforms, and specifically designed for the display industry for strong quick connections. Panel lock hook (male) is used in conjunction with the panel lock strike (female).



A panel lock wrench is used to rotate the cam to engage the lock. As the cam is rotated the hook moves out and downward until it engages the strike pin. As the cam is further rotated it draws the hook back pulling the panels together with a high level of pressure. Because the hook and strike are mounted on the opposing faces of the panel stiles they are drawing against the stile material and not relying on the strength of the screws to hold the locks in place. This mounting method eliminates the potential for failure experienced with other styles of panel locks.

### Panel Lock Strikes (Female)

Our standard panel lock strikes are designed to be used in panels where two 3/4" thick stiles are being locked together for a total thickness of 1-1/2". Should you be using a material that is a different thickness than the 1-1/2" total mentioned above, we have other strikes available that will allow for a total stile thickness of 1-9/16" to 1-13/16". Refer to “Panel Lock Strikes” on page #4 for the different sizes available. When using material that is undersized, as in two layers of plywood that equals 1-7/16" we recommend the use of spacer places. These plates are available on page #5.




---

## Terms & Shipping

### Terms

Net 30 days with approved credit. Visa, MasterCard, American Express and PayPal are accepted. COD shipments are available upon request. UPS charges a minimum \$10.00 fee for collecting COD payments and this fee will be added to the invoice.

### Shipping

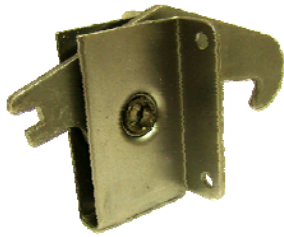
All shipments are FOB Display Innovations, St Paul Minnesota. All orders ship UPS Ground unless otherwise requested. Next Day Air, 2<sup>nd</sup> Day Air and Saturday delivery are available.

### Pricing

All prices are subject to change without notice. Refer to online catalog or website for current pricing.

---

## Panel Locks



### Panel lock hook (Male)

Our panel lock hooks or "male" component. One set consists of one hook and one strike, see below for sets.

PART #	DESCRIPTION	MEASURE	PRICE
PLH	Panel lock hook (Male)	Each	\$ 8.90 ea
PLH-25	Panel lock hook (Male)	Bag of (25)	\$216.25 ea
PLH-50	Panel lock hook (Male)	Bag of (50)	\$432.50 ea



### Panel lock strike 7/16" (Female ) our Standard

Our standard panel locks are designed to be used in panels where two 3/4" thick stiles are being locked together for a total thickness of 1-1/2".

*Note: When using plywood for stiles please verify the plywood thickness used. Plywood is sometimes undersized from the stated 3/4". Spacer plates are recommended for use with undersized plywood. See following page.*

PART #	DESCRIPTION	MEASURE	PRICE
PLS_4375	Panel lock strike 7/16" (Standard)	Each	\$ 1.95 ea
PLS_4375-25	Panel lock strike 7/16" (Standard)	Bag of (25)	\$45.00 ea
PLS_4375-50	Panel lock strike 7/16" (Standard)	Bag of (50)	\$90.00 ea

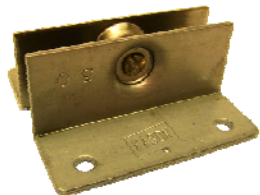
## Panel Locks Sets

Our panel lock hooks and strikes are typically bagged with (25) or (50) units per bag. One set consists of one hook and one strike. One box set will consist of one bag of hooks and one bag of 7/16" strikes.

PART #	DESCRIPTION	MEASURE	PRICE
PL_Set-25	Panel lock hook & strike set	Box of (25)	\$261.25 ea
PL_Set-50	Panel lock hook & strike set	Box of (50)	\$522.50 ea

**There are several quantity discounts for the boxes of (50) sets based on the following quantities:**

(2) to (4) boxes = 5% discount	(5) to (9) boxes = 10% discount
(10) to (19) boxes = 15% discount	(20)+ boxes = 17% discount

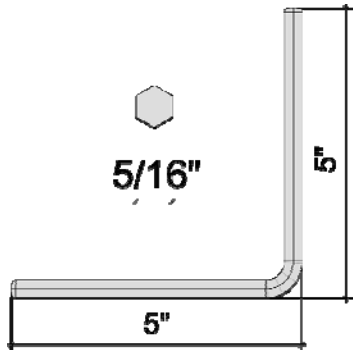


### Additional panel lock strikes

Should you be using a material that is a different thickness than the 1-1/2" total mentioned above, we have other strikes available that will allow for a total stile thickness of 1-9/16" to 1-13/16". Listed below are the three sizes available, and the associated stile thickness.

PART #	DESCRIPTION	WORK THICKNESS	MEASURE	PRICE
PLS_500	Panel lock strike 1/2"	1-9/16"	Each	\$ 2.25 ea
PLS_500-25	Panel lock strike 1/2"	1-9/16"	Bag of (25)	\$55.00 ea
PLS_6875	Panel lock strike 11/16"	1-3/4"	Each	\$ 2.25 ea
PLS_6875-25	Panel lock strike 11/16"	1-3/4"	Bag of (25)	\$55.00 ea
PLS_750	Panel lock strike 3/4"	1-13/16"	Each	\$ 2.25 ea
PLS_750-25	Panel lock strike 3/4"	1-13/16"	Bag of (25)	\$55.00 ea

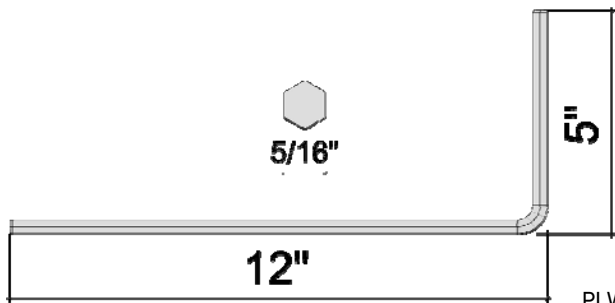
## Panel Lock Accessories



### Panel Lock Wrench—Standard

This is our standard panel lock wrench. 5/16" hex steel rod. These wrenches are used to rotate the cams in our panel locks for locking and unlocking.

PART #	DESCRIPTION	QUANTITY	PRICE
PLW-5x5-STD	Panel lock wrench 5" x 5"	Each	\$ 4.50 ea
PLW-5x5-STD-5	Panel lock wrench 5" x 5"	Bag of (5)	\$ 21.25 ea



### Panel Lock Wrench—Extended

Similar to our standard panel lock wrench but with one leg extended to 12"

*Note: The last batch of 5 x 12 wrenches came back from the metal shop with the long leg cut at 11"*

PART #	DESCRIPTION	QUANTITY	PRICE
PLW-5x12-EXT	Panel lock wrench 5" x 12"	Each	\$ 5.50 ea



### Panel Lock Spacers

These shims are used between the strike plate and the mounting surface. The shims compensate for materials that are less than a full 3/4" thick such as plywood. The spacer plates are used in pairs with each strike. Spacer plate consists of stamped steel. Saves shop labor fabricating your own shims and provides a consistent crush proof spacer. Sold in packs of (100).

PART #	DESCRIPTION	QUANTITY	PRICE
PL_Spacer-100	Spacer plates 7/16" to 3/8"	Bag of (100)	\$36.00 ea



### Panel Lock Drilling Kit

This kit was designed to eliminate the problem of panel lock wrench access holes in panels that do not line up exactly with the wrench hole in the lock. This misalignment requires that larger than necessary wrench access holes be drilled through the panel. This misalignment can also create problems for the set-up crew. This kit eliminates the potential for misalignment and speeds up the installation process. For more information see page #18

Kit consists of two drill bits and a drilling sleeve. The kit is very easy to use and includes complete instructions.

PART #	DESCRIPTION	QUANTITY	PRICE
Drillkit	Panel lock drill kit	Each	\$44.00 ea

## Hardware

### Bolts: Carriage, Fully Threaded

1/4-20 Carriage Bolts, Fully Threaded, Steel with Zinc finish. Round head, square neck, manufactured to ASME B18.5 specifications, tensile strength: 60,000 psi. We stock 1/4-20 carriage bolts in seven lengths. We can order a large variety of different sizes and lengths in addition to the sizes in stock. Special order sizes are available in case quantities. Quantities vary per case depending on bolt size. Lead time for delivery on case quantities is typically two to four days.



PART #	DESCRIPTION	MEASURE	PRICE
CBolt250-20x1.5-100	1/4-20 x 1-1/2" Full thread	Bag of (100)	\$9.60 ea
CBolt250-20x2-100	1/4-20 x 2" Full thread	Bag of (100)	\$10.00 ea
CBolt250-20x2.5-100	1/4-20 x 2-1/2" Full thread	Bag of (100)	\$13.00 ea
CBolt250-20x3-100	1/4-20 x 3" Full thread	Bag of (100)	\$13.70 ea
CBolt250-20x4-100	1/4-20 x 4" Full thread	Bag of (100)	\$14.90 ea
CBolt250-20x5-100	1/4-20 x 5" Full thread	Bag of (50)	\$9.10 ea
CBolt250-20x6-50	1/4-20 x 6" Full thread	Bag of (50)	\$10.50 ea

PART #	DESCRIPTION	MEASURE	PRICE
CBolt250-20x1.5-1000	1/4-20 x 1-1/2" Full thread	Case of (1,000)	\$53.50 ea
CBolt250-20x2-800	1/4-20 x 2" Full thread	Case of (800)	\$45.80 ea
CBolt250-20x2.5-700	1/4-20 x 2-1/2" Full thread	Case of (700)	\$56.00 ea
CBolt250-20x3-600	1/4-20 x 3" Full thread	Case of (600)	\$51.20 ea
CBolt250-20x4-400	1/4-20 x 4" Full thread	Case of (400)	\$37.00 ea
CBolt250-20x5-400	1/4-20 x 5" Full thread	Case of (400)	\$45.60 ea
CBolt250-20x6-300	1/4-20 x 6" Full thread	Case of (300)	\$41.00 ea

### Bolts: Exhibit, Fully Threaded

1/4-20 Exhibit Bolts, Fully Threaded, Steel with Zinc finish. Flat head, square neck, manufactured to ASME B18.5 specifications. Exhibit bolts are like carriage bolts but with a 1" diameter flat heads which allows pressure to spread over a much larger area. Used on exhibit panels, crates, etc. We stock 1/4-20 carriage bolts in four lengths. We can order a large variety of different sizes and lengths in addition to the sizes in stock. Special order sizes are available in case quantities. Case quantities vary depending on size.



PART #	DESCRIPTION	MEASURE	PRICE
EBolt250-20x1.5-100	1/4-20 x 1-1/2" Full thread	Bag of (100)	\$25.50 ea
EBolt250-20x2-100	1/4-20 x 2" Full thread	Bag of (100)	\$30.10 ea
EBolt250-20x2.5-100	1/4-20 x 2-1/2" Full thread	Bag of (100)	\$34.50 ea
EBolt250-20x3-100	1/4-20 x 3" Full thread	Bag of (100)	\$39.20 ea

### Torque Washers

Torque washers are made to be used with 1/4" carriage bolts. They serve two purposes, to increase the head diameter of the carriage bolt to 1", spreading the head load over a much larger area. Because the washers have a square center hole and prongs on the bottom side of the washer, they lock the carriage bolt in place and prevent it from turning during tightening or loosening of the nut. An excellent companion for the carriage bolt and washer base wing nut.



PART #	DESCRIPTION	MEASURE	PRICE
Torque_washer-100	Torque washer for 1/4" carriage bolts	Bag of (100)	\$12.25 ea
* (5) bags or more, price per bag:		Bag of (100)	\$11.64 ea

## Machine Screws, Fully Threaded

1/4-20 machine screws, fully threaded, steel with zinc finish. Truss head, Phillips manufactured to ASME B18.6.3 specifications. We stock 1/4-20 machine screws in five lengths. We can order a large variety of different sizes and lengths in addition to the sizes in stock. Special order sizes are available in case quantities. Case quantities vary depending on size of machine screw. Typical delivery time of two to four days for special order cases.



PART #	DESCRIPTION	MEASURE	PRICE
MSPT250-20x1.5-100	1/4-20 x 1-1/2" Phillips, truss head	Bag of (100)	\$12.90 ea
MSPT250-20x2-100	1/4-20 x 2" Phillips, truss head	Bag of (100)	\$12.00 ea
MSPT250-20x2.5-100	1/4-20 x 2-1/2" Phillips, truss head	Bag of (100)	\$12.50 ea
MSPT250-20x3-100	1/4-20 x 3" Phillips, truss head	Bag of (100)	\$19.40 ea
MSPT250-20x4-100	1/4-20 x 4" Phillips, truss head	Bag of (100)	\$23.30 ea
MSPT250-20x5-50	1/4-20 x 5" Phillips, truss head	Bag of (50)	\$12.80 ea
MSPT250-20x6-50	1/4-20 x 6" Phillips, truss head	Bag of (50)	\$13.20 ea

PART #	DESCRIPTION	MEASURE	PRICE
MSPT250-20x1.25-2000	1/4-20 x 1-1/4" Phillips, truss head	Case of (2,000)	\$117.10 ea
MSPT250-20x1.5-1250	1/4-20 x 1-1/2" Phillips, truss head	Case of (1,250)	\$96.20 ea
MSPT250-20x2-1000	1/4-20 x 2" Phillips, truss head	Case of (1,000)	\$78.80 ea
MSPT250-20x2.5-800	1/4-20 x 2-1/2" Phillips, truss head	Case of (800)	\$68.00 ea
MSPT250-20x3-500	1/4-20 x 3" Phillips, truss head	Case of (500)	\$79.30 ea
MSPT250-20x4-400	1/4-20 x 4" Phillips, truss head	Case of (400)	\$75.20 ea
MSPT250-20x5-400	1/4-20 x 5" Phillips, truss head	Case of (300)	\$62.70 ea
MSPT250-20x6-400	1/4-20 x 6" Phillips, truss head	Case of (200)	\$44.00 ea

## Wing Screws 1/4-20

1/4-20 wing screws, Fully Threaded, Steel with Zinc finish. Wingnut head, manufactured to ASME B18.5 specifications, Base, (underside of head) diameter is .045". We stock 1/4-20 wing screws in four lengths. We can order a large variety of different sizes and lengths in addition to the sizes in stock. Special order sizes are available in case quantities. Case quantities vary depending on size.



PART #	DESCRIPTION	MEASURE	PRICE
WS250-20x.50-100	1/4-20 x 1/2" Full thread	Bag of (100)	\$34.00 ea
WS250-20x.75-100	1/4-20 x 3/4" Full thread	Bag of (100)	\$34.00 ea
WS250-20x1-100	1/4-20 x 1" Full thread	Bag of (100)	\$34.00 ea
WS250-20x1.5-100	1/4-20 x 1-1/2" Full thread	Bag of (100)	\$34.00 ea

As a result of manufacturers discontinuing production of some products, some items have been deleted from the catalog. We still have some of these products in stock but not listed in the catalog. Check the website at [displayinnovations.com](http://displayinnovations.com) for a complete listing of all products available or give us a call and ask. We are also able to special order a large variety of items not listed. Have a need? Give us a call, we can probably get it for you.

## Washer Base Wing Nuts

Speeds exhibit set-up and dismantle when using the "Nut & Bolt" method of assembly. These are a very popular item. Die cast, zinc alloy with 7/8" washer base. Eliminates the need for a separate washer and spreads the pressure of the nut over a broader area.

*Note: Using Philips machine screws in combination with these wing nuts and using a cordless screw gun provides a very fast method of assembly and dismantle.*



PART #	DESCRIPTION	MEASURE	PRICE
WBWN250-20-100	1/4-20 x 7/8" washer based wing nut	Bag of (100)	\$24.00 ea
WBWN3125-18-100	5/16-18 x 7/8" washer based wing nut	Bag of (100)	\$24.00 ea
WBWN375-16-100	3/8-16 x 7/8" washer based wing nut	Bag of (100)	\$24.00 ea
WBWN250-20-500	1/4-20 x 7/8" washer based wing nut	Bag of (500)	\$95.00 ea
WBWN3125-18-500	5/16-18 x 7/8" washer based wing nut	Bag of (500)	\$95.00 ea
WBWN375-16-500	3/8-16 x 7/8" washer based wing nut	Bag of (500)	\$95.00 ea
WBWN250-20-1000	1/4-20 x 7/8" washer based wing nut	Box of (1,000)	\$166.50 ea
WBWN3125-18-1000	5/16-18 x 7/8" washer based wing nut	Box of (1,000)	\$166.50 ea
WBWN375-16-1000	3/8-16 x 7/8" washer based wing nut	Box of (1,000)	\$166.50 ea
WBWN250-20-1000	1/4-20 x 7/8" washer based wing nut	(5)+ Box of (1,000)	\$149.85 ea
WBWN3125-18-1000	5/16-18 x 7/8" washer based wing nut	(5)+ Box of (1,000)	\$149.85 ea
WBWN375-16-1000	3/8-16 x 7/8" washer based wing nut	(5)+ Box of (1,000)	\$149.85 ea

## Tee Nuts

A true "T" nut and the choice of the exhibit and display industry. These tee nuts provide a fast, permanent installation. The tee nuts are typically anchored in place using two #6-1/2" pan head screws or equivalent.



3/8"

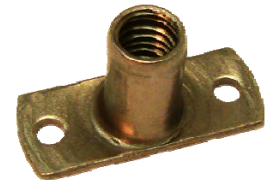
1/4-20: 1/2" x 1" mounting plate, threaded barrel is 5/16" x 11/32" deep.

5/16-18: 1/2" x 1" mounting plate, threaded barrel is 3/8" x 7/8" deep.

3/8-16: 5/8" x 1" mounting plate, threaded barrel is 7/16" x 7/16" deep.



1/4"



5/16"

PART #	DESCRIPTION	MEASURE	PRICE
T-Nut250-20-250	T-Nut, 1/4-20	Bag of (250)	\$59.00 ea
T-Nut3125-18-100	T-Nut, 5/16-18	Bag of (100)	\$41.00 ea
T-Nut375-16-100	T-Nut, 3/8-16	Bag of (100)	\$26.00 ea

## Inserts: Knife Thread, Hex Drive

An economical, effective way to use machine thread fasteners in wood. These inserts drive in with a hex driver and have a flange to prevent them from going too far into the wood. Inserts are die cast zinc. These inserts are sold as assemblies and one (1) hex driver is included with each pack of (100)



THREAD SIZE	LENGTH	PILOT HOLE SIZE	DRIVER SIZE
1/4-20	1/2", 3/4" & 1"	5/16" Diameter	6mm
5/16-18	1"	7/16" - 1/2" Diameter	8mm
3/8-16	1"	1/2" - 33/64" Diameter	10mm

PART #	DESCRIPTION	MEASURE	PRICE
HDKT250-20x.50-100	Insert, hex drive, knife thread 1/4-20 x 1/2"	Bag of (100)	\$19.00 ea
HDKT250-20x.75-100	Insert, hex drive, knife thread 1/4-20 x 3/4"	Bag of (100)	\$24.20ea
HDKT250-20x1-100	Insert, hex drive, knife thread 1/4-20 x 1"	Bag of (100)	\$28.25ea
HDKT3125-18x1-100	Insert, hex drive, knife thread 5/16-18 x 1"	Bag of (100)	\$30.40 ea
HDKT375-16x1-100	Insert, hex drive, knife thread 3/8-16 x 1"	Bag of (100)	\$51.65 ea



### Inserts: Knife Thread, Non Hex Drive

Knife thread inserts are meant to be used in wood where machine threads are needed. Inserts are brass.



THREAD SIZE	LENGTH	PILOT HOLE SIZE	DRIVER SIZE
1/4-20	1/2"	3/8" Diameter	mm
PART #	DESCRIPTION	MEASURE	PRICE
HDNKTB25-20x.50-100	Insert, hex drive, Non-knife thread 1/4-20 x 1/2"	Bag of (100)	\$35.00 ea
Insert_NHD_driver	Driver for non-hex drive insert, 1/4-20	Each	\$11.00 ea

## Hasps

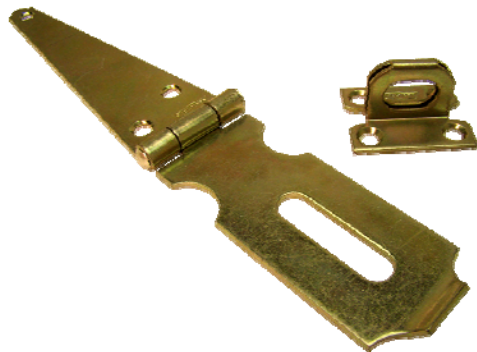
### Hasps-Hinge



#### Hasps-Hinge-Ultra

6" Hinge hasps used for crating, zinc plated steel, Ultra Manufacturing. The staples for these hasps are steel base plates with fixed rolled rod for the "D". This style staple tends to be easier to latch when crate doors are sprung or misaligned.  
*(Screws are not included)*

PART #	DESCRIPTION	MEASURE	PRICE
HaspSTD6U	6" hinge hasp with staple, zinc plated steel—Ultra	Each	\$ 4.15ea
HaspSTD6U-25	6" hinge hasp with staple, zinc plated steel—Ultra	Box of (25)	\$99.75 ea
HaspSTD6U-25	6" hinge hasp with staple, zinc plated steel—Ultra	(2)+ Box of (25)	\$94.76 ea

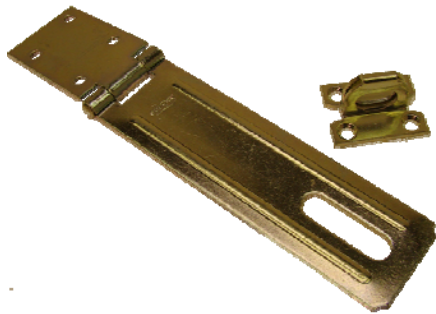


#### Hasps-Hinge-National

6" Hinge hasps with staples used for crating, zinc plated steel, National Manufacturing. The staples for these hasps are single piece formed steel.  
*(Screws are not included)*

PART #	DESCRIPTION	MEASURE	PRICE
HaspSTD6N	6" hinge hasp with staple, zinc plated steel—National	Each	\$ 4.15 ea
HaspSTD6N-10	6" hinge hasp with staple, zinc plated steel—National	Box of (10)	\$39.90 ea
HaspSTD6N-10	6" hinge hasp with staple, zinc plated steel—National	(5)+ Box of (10)	\$37.90 ea

## Hasps-Safety

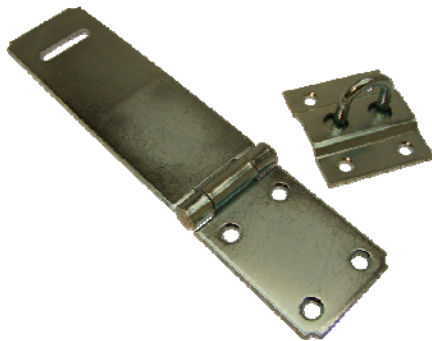


### Safety Hasp-National

6" Safety hasp and staple, zinc plated steel, National Manufacturing. The staples for these hasps are single piece formed steel. Safety hasps differ from standard hasp as the mounting plate and staple are covered by the hasp plate. The screws are not accessible when the hasp is closed.

*Screws are not included)*

PART #	DESCRIPTION	MEASURE	PRICE
HaspSFT6N	6" Safety hasp with staple, zinc plated steel—National	Each	\$ 4.15ea
HaspSFT6N-10	6" Safety hasp with staple, zinc plated steel—National	Box of (10)	\$40.95 ea
HaspSTD6N-10	6" Safety hasp with staple, zinc plated steel—National	(5)+ Box of (10)	\$38.90 ea



### Safety Hasp-Ultra

6" Safety hasp with adjustable staple, zinc plated steel, Ultra Manufacturing. The staples for these hasps are steel base plates with rolled rod for the "D". The "D" is fixed to a separate plate that allows movement and adjustability. Safety hasps differ from standard hasp as the mounting plate and staple are covered by the hasp plate. The screws are not accessible when the hasp is closed.

*Screws are not included)*

PART #	DESCRIPTION	MEASURE	PRICE
HaspSFT6U	6" Safety hasp with staple, zinc plated steel—Ultra	Each	\$ 4.15 ea
HaspSFT6U-12	6" Safety hasp with staple, zinc plated steel—Ultra	Box of (12)	\$49.15 ea
HaspSTD6U-12	6" Safety hasp with staple, zinc plated steel—Ultra	(5)+ Box of (12)	\$46.69 ea

## Replacement Staples



### Ultra

PART #	DESCRIPTION	MEASURE	PRICE
Staple_STDU	Replacement staple, zinc plated steel—Ultra	Each	\$ 1.50 ea
Staple_STDN	Replacement staple, zinc plated steel—National	Each	\$ 1.50 ea
Staple_STDU-25	Replacement staple, zinc plated steel—Ultra	Bag of (25)	\$ 36.25 ea
Staple_STDN-20	Replacement staple, zinc plated steel—National	Bag of (20)	\$ 29.00 ea

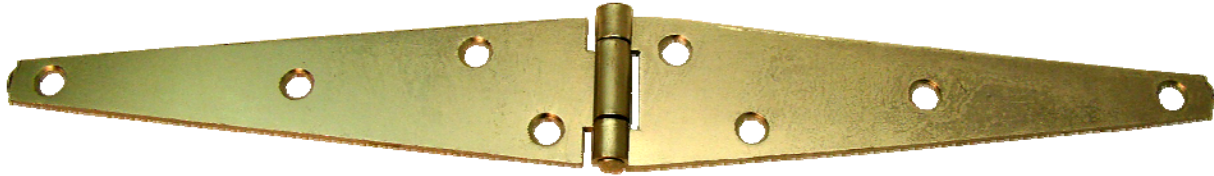
Replacement staples for hinge hasps. Forklifts and transportation in general can be very unkind to crates and hasps. We offer replacements staples so you don't have to replace the entire hasp.

*(Screws are not included)*



### National

# Hinges

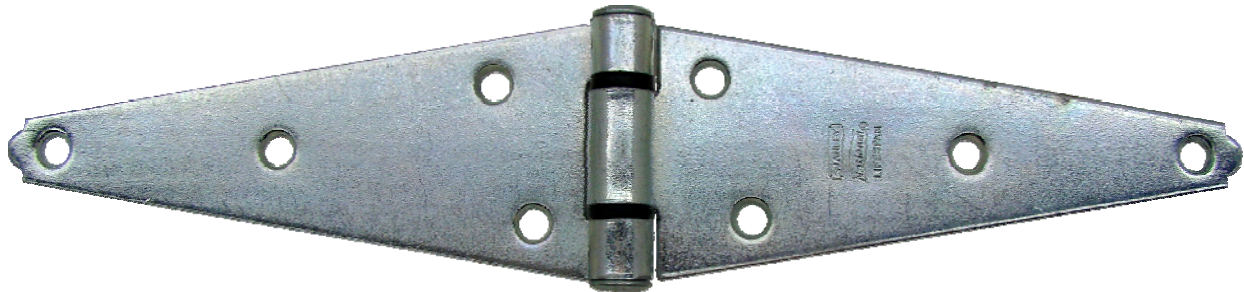


Note: The manufacturer of these hinges has discontinued producing them and we are completely out of stock. We are currently researching other manufacturers for a comparable replacement

## 6" Strap Hinge, Standard Duty

6" strap hinge used for crating, zinc plated steel, Ultra Manufacturing. *(Screws are not included)*

PART #	DESCRIPTION	MEASURE	PRICE
HingeSTD6U	6" Strap hinge, zinc plated steel—Ultra	Each	\$ 2.25 ea
HingeSTD6U-25	6" Strap hinge, zinc plated steel—Ultra	Bag of (25)	\$50.00 ea
HingeSTD6U-50	6" Strap hinge, zinc plated steel—Ultra	Box of (50)	\$95.00 ea
HingeSTD6U-50	6" Strap hinge, zinc plated steel—Ultra	(2)+ Box of (50)	\$90.25 ea



## 6" Strap Hinge, Heavy Duty

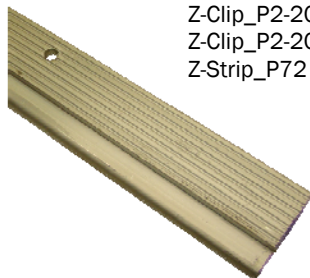
6" heavy duty hinge used for crating, zinc plated steel, Stanley / National Manufacturing. These hinges include a pivot bushing that improves the longevity and performance. *(Screws are not included)*

PART #	DESCRIPTION	MEASURE	PRICE
HingeHD6N	6" strap hinge, heavy duty, zinc plated steel—National	Each	\$ 3.40 ea
HingeHD6N-10	6" strap hinge, heavy duty, zinc plated steel—National	Box of (10)	\$31.50 ea
HingeHD6N-10	6" strap hinge, heavy duty, zinc plated steel—National	(6) + Box of (10)	\$29.93 ea

# Hangers

## Z-Clips & Z-Strips

PART #	DESCRIPTION	MEASURE	PRICE
Z-Clip_P2-20	Z-clips, 2" punched aluminum	Bag of (20)	\$ 11.25 ea
Z-Clip_P2-20	Z-clips, 2" punched aluminum	Bag of (100)	\$ 42.50 ea
Z-Strip_P72	Z-clips, 72" punched aluminum	Each	\$ 13.00 ea



These clips have been a very popular hanger for a very long time. These clips are used in a variety of mounting applications. The clips can be used in conjunction with the hanging strip or as sets. The strip can also be used as an alignment tool when mounting several clips in a line.



## Crating Felt



This felt is well suited for crating and general packaging. We carry four widths, and two thicknesses, each with and without adhesive backing on 50 foot or 100 foot rolls, depending on the thickness. The 1/4" adhesive backed felt is especially well suited for crating as it offers extra cushion and does not require any mechanical fasteners. The color is white.



**\*\* Note our lower sale price for felt!**

### PSA Backed (Pressure Sensitive Adhesive)

PART #	DESCRIPTION	MEASURE	PRICE
Felt250x1x50_PSA	Felt 1/4" x 1" x 50' roll with PSA back	Each	\$ 11.00 ea
Felt250x1x50_PSA	Felt 1/4" x 1" x 50' roll with PSA back	(11) + rolls	\$ 10.45 ea
Felt250x1.5x50_PSA	Felt 1/4" x 1-1/2" x 50' roll with PSA back	Each	\$ 14.60 ea
Felt250x1.5x50_PSA	Felt 1/4" x 1-1/2" x 50' roll with PSA back	(11) + rolls	\$ 13.87 ea
Felt250x2x50_PSA	Felt 1/4" x 2" x 50' roll with PSA back	Each	\$ 18.30 ea
Felt250x2x50_PSA	Felt 1/4" x 2" x 50' roll with PSA back	(11) + rolls	\$ 17.39 ea
Felt250x3x50_PSA	Felt 1/4" x 3" x 50' roll with PSA back	Each	\$ 23.80 ea
Felt250x3x50_PSA	Felt 1/4" x 3" x 50' roll with PSA back	(11) + rolls	\$ 22.61 ea
Felt125x1x100_PSA	Felt 1/8" x 1" x 100' roll with PSA back	Each	\$ 14.00 ea
Felt125x1x100_PSA	Felt 1/8" x 1" x 100' roll with PSA back	(11) + rolls	\$ 13.30 ea
Felt125x1.5x100_PSA	Felt 1/8" x 1-1/2" x 100' roll with PSA back	Each	\$ 19.20 ea
Felt125x1.5x100_PSA	Felt 1/8" x 1-1/2" x 100' roll with PSA back	(11) + rolls	\$ 18.24 ea
Felt125x2x100_PSA	Felt 1/8" x 2" x 100' roll with PSA back	Each	\$ 24.20 ea
Felt125x2x100_PSA	Felt 1/8" x 2" x 100' roll with PSA back	(11) + rolls	\$ 22.99 ea
Felt125x3x100_PSA	Felt 1/8" x 3" x 100' roll with PSA back	Each	\$ 34.60 ea
Felt125x3x100_PSA	Felt 1/8" x 3" x 100' roll with PSA back	(11) + rolls	\$ 32.87 ea

### Non-Backed (No Adhesive / Raw)

PART #	DESCRIPTION	MEASURE	PRICE
Felt250x1x50_Raw	Felt 1/4" x 1" x 50' roll	Each	\$ 6.20 ea
Felt250x1x50_Raw	Felt 1/4" x 1" x 50' roll	(11) + rolls	\$ 5.89 ea
Felt250x1.5x50_Raw	Felt 1/4" x 1-1/2" x 50' roll	Each	\$ 9.00 ea
Felt250x1.5x50_Raw	Felt 1/4" x 1-1/2" x 50' roll	(11) + rolls	\$ 8.55 ea
Felt250x2x50_Raw	Felt 1/4" x 2" x 50' roll	Each	\$ 11.90 ea
Felt250x2x50_Raw	Felt 1/4" x 2" x 50' roll	(11) + rolls	\$ 11.31 ea
Felt250x3x50_Raw	Felt 1/4" x 3" x 50' roll	Each	\$ 17.30 ea
Felt250x3x50_Raw	Felt 1/4" x 3" x 50' roll	(11) + rolls	\$ 16.44 ea
Felt125x1x100_Raw	Felt 1/8" x 1" x 100' roll	Each	\$ 7.60 ea
Felt125x1x100_Raw	Felt 1/8" x 1" x 100' roll	(11) + rolls	\$ 7.22 ea
Felt125x1.5x100_Raw	Felt 1/8" x 1-1/2" x 100' roll	Each	\$ 11.10 ea
Felt125x1.5x100_Raw	Felt 1/8" x 1-1/2" x 100' roll	(11) + rolls	\$ 10.55 ea
Felt125x2x100_Raw	Felt 1/8" x 2" x 100' roll	Each	\$ 14.90 ea
Felt125x2x100_Raw	Felt 1/8" x 2" x 100' roll	(11) + rolls	\$ 14.16 ea
Felt125x3x100_Raw	Felt 1/8" x 3" x 100' roll	Each	\$ 21.70 ea
Felt125x3x100_Raw	Felt 1/8" x 3" x 100' roll	(11) + rolls	\$ 20.62 ea

## Hole Plugs



### Metal hole plugs

Our standard hole plugs are unfinished metal. These plugs fit a standard 3/8" diameter hole. They can be painted as required. Sold in boxes of (100)



**PART #**  
HPM-100

**DESCRIPTION**  
Hole plug, 3/8" diameter, metal

**MEASURE**  
Box of (100)

**PRICE**  
\$25.00 ea



### Plastic hole plugs

Plastic hole plugs in two colors and five diameters. The diameter refers to the diameter of the hole the plug inserts into. Plastic hole plugs are paintable. Sold in bags of (250)



**PART #**  
HP\_Wht-P250-250  
HP\_Wht-P3125-250  
HP\_Wht-P375-250  
HP\_Wht-P4375-250  
HP\_Wht-P500-250

**DESCRIPTION**  
Hole plug, 1/4" diameter, white plastic  
Hole plug, 5/16" diameter, white plastic  
Hole plug, 3/8" diameter, white plastic  
Hole plug, 7/16" diameter, white plastic  
Hole plug, 1/2" diameter, white plastic

**MEASURE**  
Bag of (250)  
Bag of (250)  
Bag of (250)  
Bag of (250)  
Bag of (250)

**PRICE**  
\$20.00 ea  
\$20.00 ea  
\$20.00 ea  
\$20.00 ea  
\$20.00 ea

HP\_BlK-P250-250  
HP\_BlK-P3125-250  
HP\_BlK-P375-250  
HP\_BlK-P4375-250  
HP\_BlK-P500-250

Hole plug, 1/4" diameter, black plastic  
Hole plug, 5/16" diameter, black plastic  
Hole plug, 3/8" diameter, black plastic  
Hole plug, 7/16" diameter, black plastic  
Hole plug, 1/2" diameter, black plastic

Bag of (250)  
Bag of (250)  
Bag of (250)  
Bag of (250)  
Bag of (250)

\$20.00 ea  
\$20.00 ea  
\$20.00 ea  
\$20.00 ea  
\$20.00 ea



### Vent plugs

Used to vent light boxes, headers etc. Permit the passage of air for ventilation and heat dissipation.



**PART #**  
VPlug\_1\_BI-100  
VPlug\_1.5\_BI-50  
VPlug\_1.5\_BI-100  
VPlug\_2\_BI-50  
VPlug\_2\_BI-100

**DESCRIPTION**  
Vent hole plug, 1" diameter, black plastic  
Vent hole plug, 1-1/2" diameter, black plastic  
Vent hole plug, 1-1/2" diameter, black plastic  
Vent hole plug, 2" diameter, black plastic  
Vent hole plug, 2" diameter, black plastic

**MEASURE**  
Bag of (100)  
Bag of (50)  
Bag of (100)  
Bag of (50)  
Bag of (100)

**PRICE**  
\$17.50 ea  
\$16.00 ea  
\$28.00 ea  
\$23.00 ea  
\$42.00 ea



### 4" Hand hole plugs

Used to cover access holes where needed.



**PART #**  
HHPlug\_4\_BI

**DESCRIPTION**  
Hand hole plug, 4" diameter, black plastic

**MEASURE**  
Each

**PRICE**  
\$2.60 ea

## Electrical cords—Round Extension

### Heavy duty, all rubber, three wire, grounded extension cords

Oil resistant, flexible to -34 degrees F, molded vinyl male and female plugs, black. Available in both SJ cords and SO cord. (SO cords have a heavier outside rubber coating and will withstand harder use. These SO cords are required by some exhibit halls where cords could be subjected to abuse.)

### S3 SERIES



#### 12/3 SO Cords, SOWA UL .635 O.D. Black rubber exterior

PART #	LENGTH	AMPS	WATTS	PRICE
Cord_S3-102 (in stock)	10'	15	1875	\$15.20 ea
Cord_S3-152 **	15'	15	1875	\$21.90 ea
Cord_S3-252 **	25'	15	1875	\$33.20 ea
Cord_S3-502 (in stock)	50'	15	1875	\$60.50 ea
Cord_S3-1002 **	100'	15	1875	\$110.90 ea

#### 14/3 SO Cords, SOWA UL .500 O.D. Black rubber exterior

PART #	LENGTH	AMPS	WATTS	PRICE
Cord_S3-104 **	10'	15	1875	\$22.80 ea
Cord_S3-154 **	15'	15	1875	\$30.50 ea
Cord_S3-254 **	25'	15	1875	\$45.60 ea
Cord_S3-504 (in stock)	50'	15	1875	\$83.80 ea
Cord_S3-1004 **	100'	13	1325	\$89.20 ea

### J3 SERIES



#### 12/3 SJ Cords, SJOW-A UL .475 O.D. Black rubber exterior

PART #	LENGTH	AMPS	WATTS	PRICE
Cord_J3-102	10'	15	1875	\$14.70 ea
Cord_J3-152	15'	15	1875	\$20.80 ea
Cord_J3-252	25'	15	1875	\$31.00 ea
Cord_J3-502	50'	15	1875	\$55.60 ea
Cord_J3-1002	100'	15	1875	\$101.10 ea

#### 14/3 SJ Cords, SJOW-A UL .390 O.D. Black rubber exterior

PART #	LENGTH	AMPS	WATTS	PRICE
Cord_J3-14 (shortie)	1'-2"	15	1875	\$ 4.50 ea
Cord_J3-104	10'	15	1875	\$11.50 ea
Cord_J3-154	15'	15	1875	\$16.10 ea
Cord_J3-254	25'	15	1875	\$23.60 ea
Cord_J3-504	50'	15	1875	\$42.10 ea
Cord_J3-1004 **	100'	13	1375	\$68.60 ea

#### 16/3 SJ Cords, SJOW-A UL .365 O.D. Black rubber exterior

PART #	LENGTH	AMPS	WATTS	PRICE
Cord_J3-106	10'	13	1625	\$8.40 ea
Cord_J3-156	15'	13	1625	\$11.40 ea
Cord_J3-256	25'	13	1625	\$16.50 ea
Cord_J3-506	50'	13	1625	\$28.70 ea

Note: Due to the volatility of copper prices, cord prices can fluctuate frequently. Cord prices subject to change, call to confirm prices.

\*\* Cords marked with \*\* are non-stock and require ten day lead time

## Electrical cords—Flat Extension

### Heavy Duty SPT-3 flat extension cords, black with molded plugs

SPT-3 12/3 & 14/3 3-Conductor 125 volt / 15 AMP, Low Profile Extension cord, Black.

These cords are especially well suited for use in exhibits for under carpet installation. The flat cord can be taped to the show hall floor prior to installation of pad and carpet. The low profile cords eliminates the need to cut (channel) pad as required for the thicker round cords. SPT-3 low profile extension cords are designed for indoor/outdoor use in convention centers, exhibition halls & hotels and trade show booths and displays. Heavy duty flexible jacket guarantees this cord has fantastic flexibility while being resistant to grease and grime. Ends are molded-on standard 3-prong u/ground type. They are heavy duty, water resistant and come with super tough strain reliefs to insure the cord will not pull away from the ends.



#### 12/3 SPT-3 with ground, Black vinyl cord, black ends

PART #	LENGTH	AMPS	WATTS	PRICE
Cord_SPT3-152	15'	15	1875	\$15.70 ea
Cord_SPT3-202	20'	15	1875	\$16.20 ea
Cord_SPT3-252	25'	15	1875	\$28.30 ea
Cord_SPT3-502	50'	15	1875	\$48.10 ea
Cord_SPT3-1002	100'	15	1875	\$71.60 ea

#### 14/3 SPT-3 with ground, Black vinyl cord, black ends

PART #	LENGTH	AMPS	WATTS	PRICE
Cord_SPT3-94R *	9'	15	1875	\$ 9.50 ea
Cord_SPT3-154	15'	15	1875	\$14.60 ea
Cord_SPT3-254	25'	15	1875	\$21.90 ea
Cord_SPT3-504	50'	15	1875	\$38.20 ea

\* Male end has 90° right angle plug



#### 12/3 & 14/3 SPT-3 with ground, Gray vinyl cord, colored ends

PART #	LENGTH	ENDS	AMPS	WATTS	PRICE
Cord_SPT3-152G	15'	White	15	1875	\$15.70 ea
Cord_SPT3-252G	25'	Blue	15	1875	\$28.30 ea
Cord_SPT3-504G	50'	Gray	15	1875	\$23.70 ea

### Standard Duty SPT-2 flat extension cords, gray with colored molded plugs

SPT-2 12/3 3-Conductor 125 volt / 15 AMP, low profile extension cord, black.

SPT-2 low profile extension cords are designed for indoor/outdoor use in exhibition halls, hotels and trade show booths and displays. The standard duty SPT-2 jacket is thinner than the heavy duty SPT-3 cords. Ends are molded-on standard 3-prong u/ground type.



#### 12/3 SPT-2 with ground, Gray vinyl cord, colored ends

PART #	LENGTH	ENDS	AMPS	WATTS	PRICE
Cord_SPT2-152G	15'	White	15	1875	\$10.40 ea
Cord_SPT2-252G	25'	Blue	15	1875	\$16.20 ea
Cord_SPT2-504G	50'	Red	15	1875	\$30.60 ea

## Electrical—Multi Outlet



**Triple outlet, three wire, grounded extension cords**  
 Black Molded vinyl male and female plugs

**14/3 SJOW UL .390 O.D. Black rubber cord**

PART #	LENGTH	AMPS	WATTS	PRICE
Cord_TCR-154	15'	15	1875	\$24.70 ea
Cord_TCR-254	25'	15	1875	\$30.90 ea
Cord_TCR-504	50'	15	1875	\$46.80 ea
Cord_TCR-1004 **	100'	13	1625	\$76.90 ea

### Multi-outlet power strips with surge suppression

Includes surge protection rated at 270 or 500 Joules of protection, lighted on/off switch, 14/3 cord. The outlets are turned to the side for better space utilization. End outlets are spaced for use with power transformers.



MOSP-5+2Blk (Our Special Purchase)

PART #	COLOR	LENGTH	AMPS	WATTS	JOULES	PRICE
MOSP-5+2Blk	Black	3'	15	1875	500	\$9.10 ea
						<i>Quantities of (24) and greater -5%</i>
						\$8.65 ea



MOSP-5+1Wht (Limited quantities)

MOSP-5+1Wht	White	3'	15	1875	270	\$8.80 ea
						<i>Quantities of (24) and greater -5%</i>
						\$8.36 ea

### Multi-outlet power strips without surge suppression

Basic power strips without surge suppression.

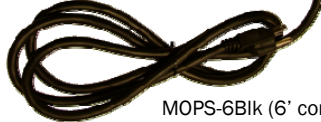


MOPS6-Blk (3' cord)

PART #	COLOR	LENGTH	AMPS	WATTS	PRICE
MOPS6-Blk	Black	3'	15	1875	\$6.90 ea
					<i>Quantities of (24) and greater -5%</i>
					\$7.13 ea



MOPS-6Blk	Black	6'	15	1875	\$7.70 ea
					<i>Quantities of (24) and greater -5%</i>
					\$7.32 ea



MOPS-6Blk (6' cord)

*\* Style may vary slightly depending on manufactures stock*

### Heavy Duty, 4-way, three wire grounded power distribution cords

**12/3 SJOW UL .475 O.D. Black rubber cord with molded vinyl plug**



PART #	LENGTH	AMPS	WATTS	PRICE
Cord_M3-22 (Shortie)	2'	15	1875	\$23.60 ea
Cord_M3-102	10'	15	1875	\$30.50 ea
Cord_M3-152	15'	15	1875	\$32.50 ea
Cord_M3-252	25'	15	1625	\$46.00 ea
Cord_M3-502 **	50'	15	1625	\$71.10 ea

**14/3 SJOW UL .390 O.D. Black rubber cord with molded vinyl plug**

PART #	LENGTH	AMPS	WATTS	PRICE
Cord_M3-104	10'	15	1875	\$24.90 ea
Cord_M3-154	15'	15	1875	\$28.80 ea
Cord_M3-254	25'	15	1875	\$39.10 ea

*Cords marked with \*\* are non-stock and require up to ten day lead time*



## Electrical — Replacement cords

Used wherever a power cord is needed, these cords are a popular item. Available with either male only end or female only end. Plug diameter measures 1-1/4"



### Black cords with male plug only

#### 14/3 SJOW-A UL .390 O.D. Black rubber exterior

PART #	LENGTH	AMPS	WATTS	PRICE
Cord_MR3-34	3'	15	1875	\$ 5.10 ea
Cord_MR3-64	6'	15	1875	\$ 6.60 ea
Cord_MR3-94	9'	15	1875	\$ 9.00 ea
Cord_MR3-124	12'	15	1875	\$11.20 ea

#### 16/3 SJOW-A UL .390 O.D. Black rubber exterior

PART #	LENGTH	AMPS	WATTS	PRICE
Cord_MR3-36	3'	13	1625	\$4.25 ea
Cord_MR3-66	6'	13	1625	\$5.30 ea
Cord_MR3-96	9'	13	1625	\$6.90 ea



### Black cords with female plug only

#### 14/3 SJOW-A UL .390 O.D. Black rubber exterior

PART #	LENGTH	AMPS	WATTS	PRICE
Cord_FR3-24	2'	15	1875	\$ 3.85 ea
Cord_FR3-44	4'	15	1875	\$ 4.25 ea
Cord_FR3-64	6'	15	1875	\$ 4.40 ea
Cord_FR3-94	9'	15	1875	\$ 8.10 ea

## Extension Cord Accessories—Cord-Lox

Cord-Lox are Velcro straps that are designed to attach to the ends of cords and cables using the rivet provided. Once attached they create a strap that quickly wraps around coiled cords to secure the coils. The smooth exterior surface allows printing company name or other information to help identify and protect the cords and cables. Currently available in three colors and three lengths.

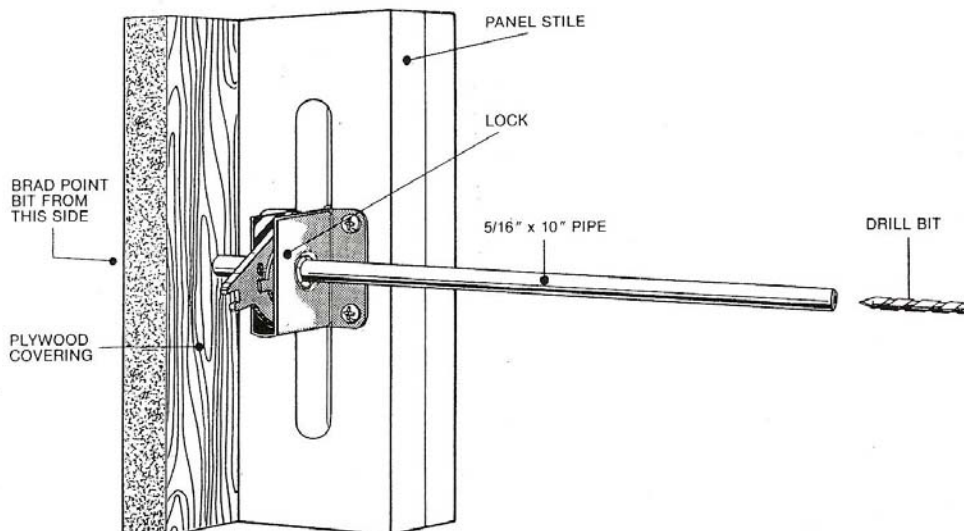


PART #	DESCRIPTION	MEASURE	PRICE
CL309R-ORG-10	Cord-Lox straps, Orange 9"	Bag of (10)	\$14.50 ea
CL309R-RED-10	Cord-Lox straps, Red 9"	Bag of (10)	\$14.50 ea
CL309R-YEL-10	Cord-Lox straps, Yellow 9"	Bag of (10)	\$14.50 ea
CL312R-ORG-10	Cord-Lox straps, Orange 12"	Bag of (10)	\$15.80 ea
CL312R-RED-10	Cord-Lox straps, Red 12"	Bag of (10)	\$15.80 ea
CL312R-YEL-10	Cord-Lox straps, Yellow 12"	Bag of (10)	\$15.80 ea
CL315R-ORG-10	Cord-Lox straps, Orange 15"	Bag of (10)	\$16.00 ea
CL315R-RED-10	Cord-Lox straps, Red 15"	Bag of (10)	\$16.00 ea
CL315R-YEL-10	Cord-Lox straps, Yellow 15"	Bag of (10)	\$16.00 ea

9" strap will fit 15' cords, 12" straps will fit 25' cords, 15' straps will fit 50' & 100' cords  
Felt tip markers work well for writing on the exterior of the straps for labeling

## Instructions for using the Display Innovations Wrench Access Hole Drilling Kit

- 1: Install the panel locks in the panel stile in the usual way.
- 2: Cover one face of the panel frame with plywood or other material.
- 3: Add the finish surface to the plywood or other material.
- 4: Insert 5/16" X 10" pipe into wrench opening of the lock from the uncovered side of the panel until it hits the back side of the plywood panel surface.



- 5: Insert the 7/64" X 12" drill bit through the center of the pipe and drill through the plywood and finished surface.
- 6: Remove the pipe from the lock wrench opening.
- 7: Using the 3/8" brad point bit, drill the 7/64" hole out to 3/8" from the face of the panel.
- 8: If you are building double sided panels, and want a wrench access hole in both faces of the panel, add the plywood or other material, plus the finish material to the second side of the panel and repeat steps 4, 5, 6 and 7.

This drilling system will work on any panel thickness up to 10".

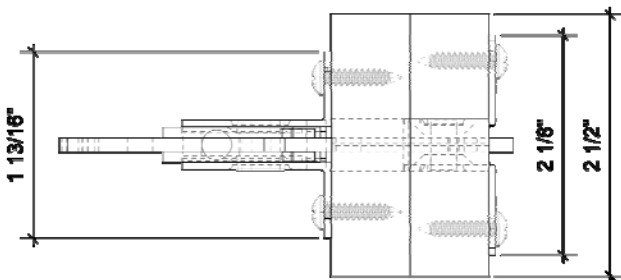
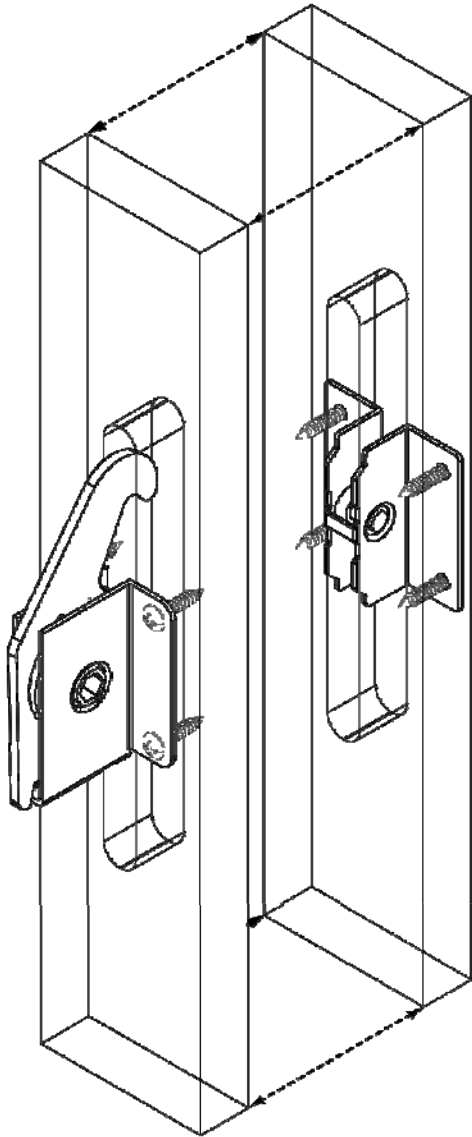
This drilling method should give a perfect hole location every time, and in perfect alignment with the wrench hole in the lock.

---

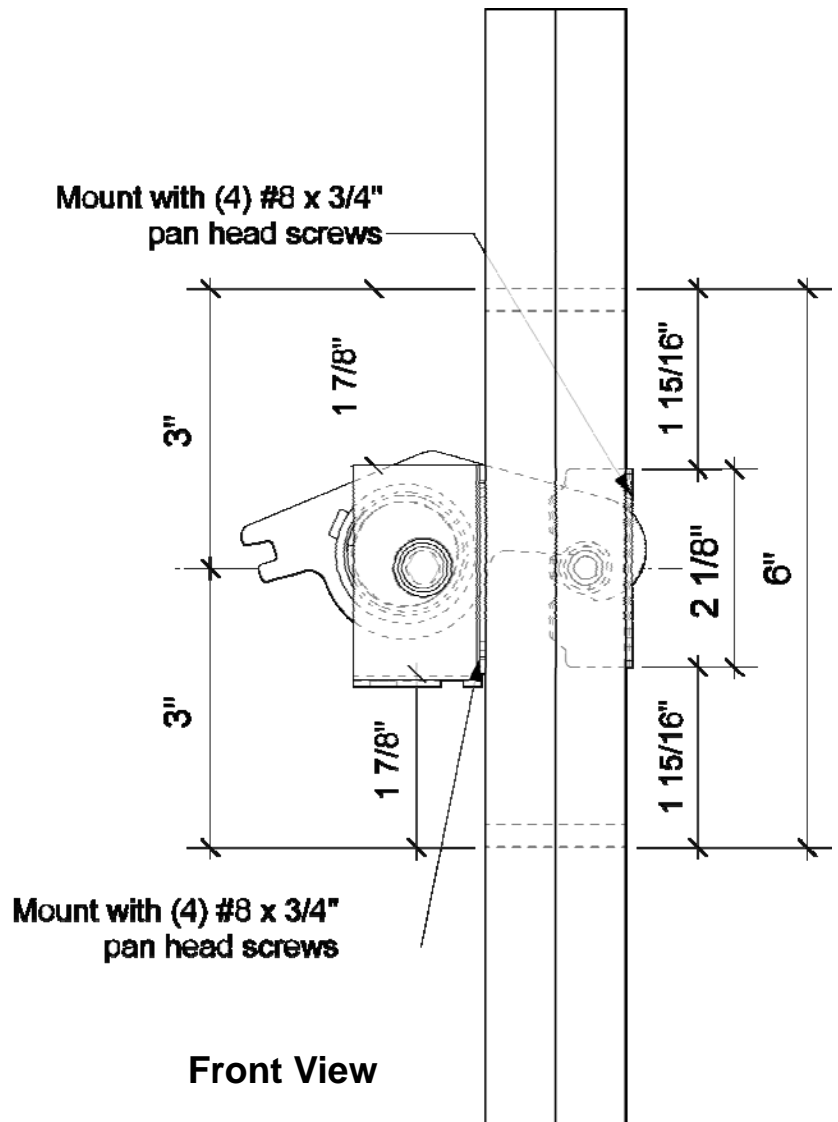
# Panel Lock Installation Instructions

1. Route a 1/2" x 6" slot in both pieces to be joined.
  2. Mount lock and strike in the center of the slot using #8 x 3/4" pan head screws similar to drawing. Align the center of the cam hole and the strike pin.
  3. Cover panels (skin) as desired. \*For double-sided panels drill the cam wrench access hole before applying 2<sup>nd</sup> skin.
- \* These panel locks and strikes must be installed before the panel is sealed. They install on the inside of the panel and can NOT be installed from the outside.

*Note: We have a drilling kit available that gives perfectly aligned wrench access holes in double-sided panels. See previous page and page #5 for details.*



**Top View**



**Front View**

## *Display Innovations*

8160 Jensen Avenue South  
St. Paul, MN 55016-3440

Sales: 800-583-9691  
Office: 651-459-3816  
Fax: 651-459-3641  
E-mail: [sales@displayinnovations.com](mailto:sales@displayinnovations.com)